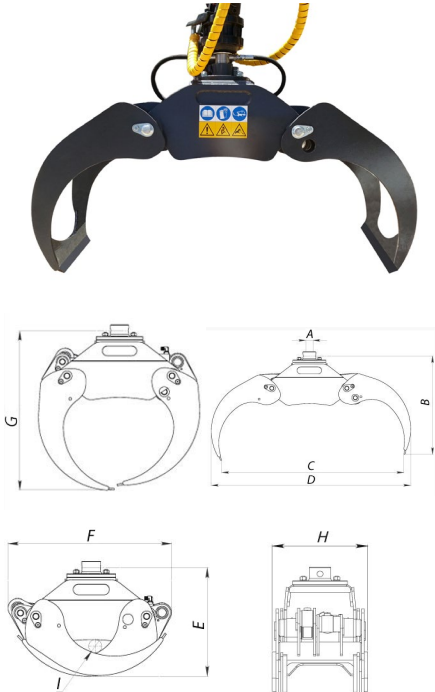


Generation 2 accessories

GRAPPLE ASSORTMENT

Grapple G 2.1



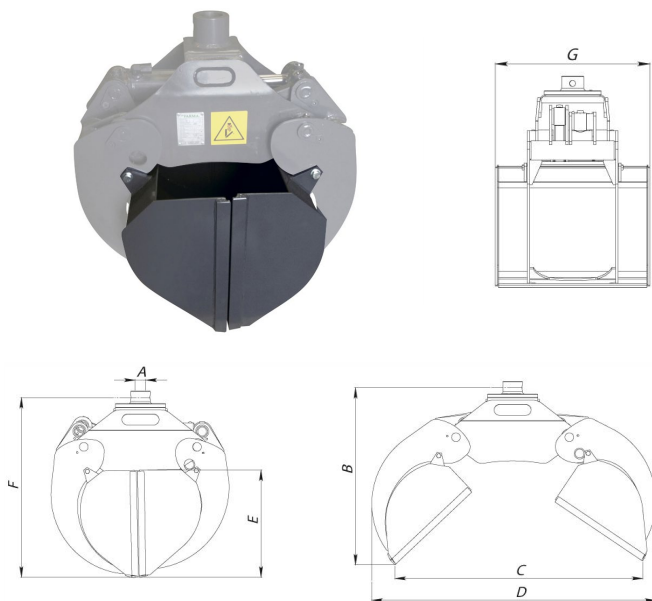
Measure	0,12 m ²	0,16 m ²	0,20 m ²	0,24 m ²
A	Diam. 50 mm	Diam. 50 mm	Diam. 50/60 mm	Diam. 50/60 mm
B	630 mm	715 mm	700 mm	815 mm
C	875 mm	1 045 mm	1 255 mm	1 275 mm
D	1 010 mm	1 225 mm	1 380 mm	1 470 mm
E	425 mm	510 mm	510 mm	530 mm
F	600 mm	715 mm	745 mm	785 mm
G	625 mm	730 mm	800 mm	860 mm
H	280 mm	280 mm	370 mm	395 mm
I	Diam. 55 mm	Diam 80. mm	Diam. 70 mm	Diam. 65 mm

Technical data	0,12 m ²	0,16 m ²	0,20 m ²	0,24 m ²
Weight	53 kg	70 kg	115 kg	145 kg
Working Pressure	17.5 MPa	17.5 MPa	17.5 MPa	21,0 Mpa
Gripping force arms tip-tip	6.3 kN	7.0 kN	8.25 kN	11.0 kN
Max.load	1000 kg	1000 kg	1500 kg	2000 kg
Size, rotator mount	50	50	<u>50/60*</u>	<u>50/60*</u>

*This model is supplied with a replaceable rotator mount. Specify the desired mount when ordering.
The underlined figure is the standard option.

Insert buckets G 2.1

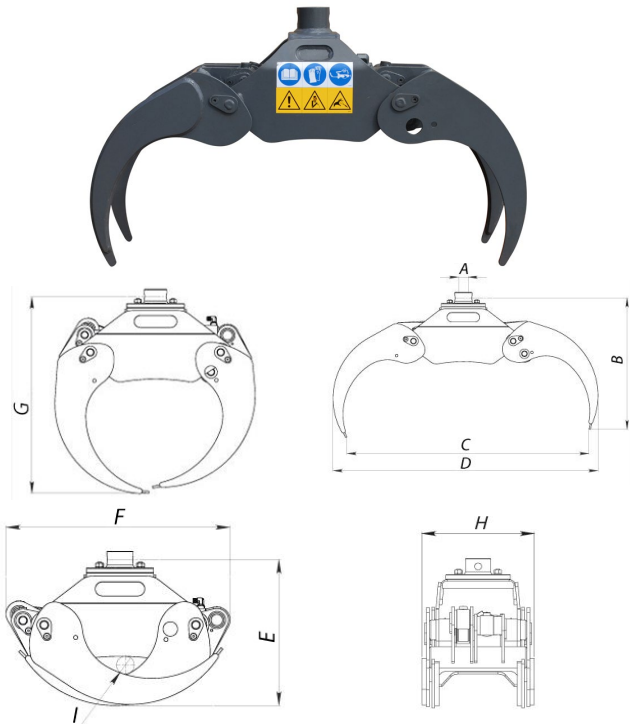
Insert buckets for the use together with Generation 2 grapples



Measure	0,12 m ²	0,16 m ²	0,20 m ²
A	Diam. 50 mm	Diam. 50 mm	Diam. 50/60 mm
B	695 mm	750 mm	770 mm
C	795 mm	1045 mm	1280 mm
D	975 mm	1225 mm	1380 mm
E	390 mm	435 mm	490 mm
F	670 mm	765 mm	830 mm
G	525 mm	525 mm	625 mm

Technical data	0,12 m ²	0,16 m ²	0,20 m ²
Weight	35 kg	40 kg	50 kg
Working Pressure	17.5 MPa	17.5 MPa	19.0 MPa
Gripping force arms tip-tip	6.3 kN	6.8 kN	9.0 kN
Volume	58 l	80 l	110 l
Max.load	500 kg	500 kg	750 kg

Energy brush grapple G 2.1

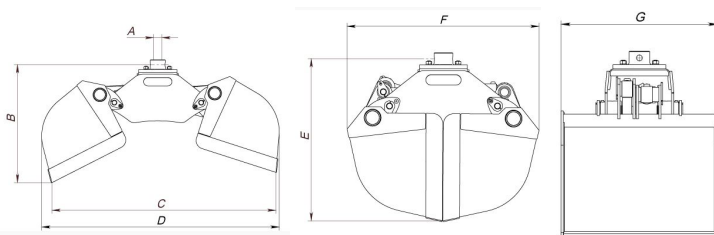


Measure	0,12 m ²	0,16 m ²	0,20 m ²
A	Diam. 50 mm	Diam. 50 mm	Diam. 50/60 mm
B	615 mm	690 mm	670 mm
C	875 mm	1065 mm	1265 mm
D	1010 mm	1230 mm	1380 mm
E	425 mm	505 mm	510 mm
F	585 mm	725 mm	745 mm
G	640 mm	730 mm	800 mm
H	290 mm	305 mm	400 mm
I	Diam. 40 mm	Diam 75. mm	Diam. 70 mm

Technical data	0,12 m ²	0,16 m ²	0,20 m ²
Weight	57 kg	85 kg	125 kg
Working Pressure	17.5 MPa	17.5 MPa	19.0 MPa
Gripping force arms tip-tip	6,0 kN	6,5 kN	9.0 kN
Max.load	1000 kg	1000 kg	1500 kg
Size, rotator mount	50	50	<u>50/60</u> *

*This model is supplied with a replaceable rotator mount.
Specify the desired mount when ordering. The underlined figure is the standard option.

Grapple bucket G 2.1



Measure	160 l	200 l
A	Diam. 50/60 mm	Diam. 50/60 mm
B	705 mm	705 mm
C	1355 mm	1355 mm
D	1420 mm	1420 mm
E	785 mm	785 mm
F	925 mm	925 mm
G	555 mm	685 mm

Technical data	160 l	200 l
Weight	172 kg	182 kg
Size, rotator mount	50/ <u>60</u> *	50/ <u>60</u> *
Working Pressure	19.0 MPa	19.0 MPa
Gripping force arms tip-tip	9.0 kN	9.0 kN
Volume	160 l	200 l
Max.load	1000 kg	1000 kg

* This model is supplied with a replaceable rotator mount.
Specify the desired mount when ordering. The underlined figure is the standard option.

Numbers can be rounded off to the nearest whole number. We reserve the right to alter specifications without prior notice. Figures for the measurements are only of illustrative purpose.