

## FARMA ENERGY CUTTERS BC 18/BC 25



### BC 18 FOR CRANES



FARMA BC 18 makes your work in the forest more productive and the permanent high steel knives are easy to maintain. It is suitable for our timber cranes and doesn't require any extra controls or hoses. You couple it to the hoses intended for the grapple. Tilting takes place automatically and in sequence when you are cutting (the pressure during tilting is adjustable) and it tilts up when you open the cutter again to cut a new bush or stem. For loading, we recommend our bush grapple, or the grapple loader's standard grapple. The location of the centre of gravity makes it easy to position the energy cutter directly by the root. The cutter is intended for handling smaller trees and bushes up to a maximum diameter of 18 cm at the cutting point.

Energy cutter BC 18 flange plate for the rotator is included.

**FARMA BC 18 is recommended for FARMA cranes size C4.6 and upwards.**

### BC 18 FOR EXCAVATORS



FARMA also offers BC 18 energy cutter to be used on excavators. Felling, gathering, cutting and loading everything from trees and brush to bushes and stumps can be easily handled. Trees are easy to cut and the fixed blade is easy to maintain. The location of the centre of gravity makes it easy to position the grapple directly by the root. The product is to be considered a combined grapple and felling head.

**BC 18 is available for S40, S45 and S30/180 and with a simple flat plate.**

### BC 25 FOR EXCAVATORS



**A larger, stronger and more powerful energy cutter for excavators.**

The BC 25 is larger compared to BC 18 and is made for mounting with various adapters for small to medium-sized excavators.

It fells up to 25 cm thick timber depending on tree species. It uses two powerful cylinders to quickly and efficiently cut through the timber. The replaceable knife is specially designed for BC 25 and is made of high wear resistant steel.

**The BC 25 is equipped with exchangeable quick couplers. For example S40 and S45 or any other quick coupler required.**

### TECHNICAL DATA

Technische Daten	BC 18	BC 25
Max. cutting diameter	180 mm*	250 mm*
Max. grapple opening	660 mm	890 mm
Max. pressure	19.0 MPa	25.0 MPa
Recommended oil flow	40-60 l/min **	40-60 l/min**
Tilt angle	90 degrees***	-
Size, rotator mount	49/59 ****	-
Weight	190 kg	350 kg

\* The maximum cutting diameter ultimately depends on the choice of tree species.

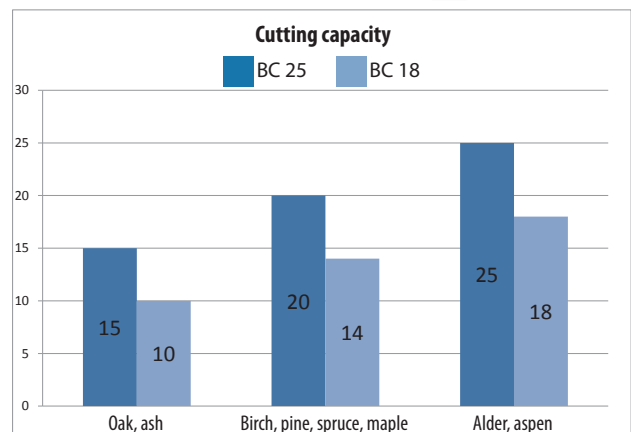
\*\* Can be used at 25 l/min, although operation becomes slow.

\*\*\* BC 18 for cranes.

\*\*\*\* This model is supplied with a replaceable rotator mount. Specify the desired mount when ordering.

### CUTTING CAPACITY

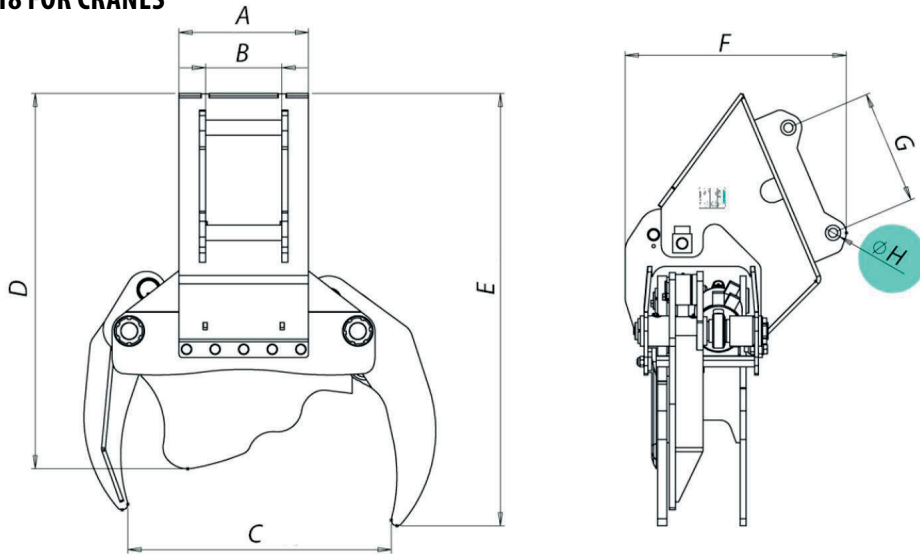
BC 18 Max. 19.0 MPa  BC 25 Max. 25.0 MPa



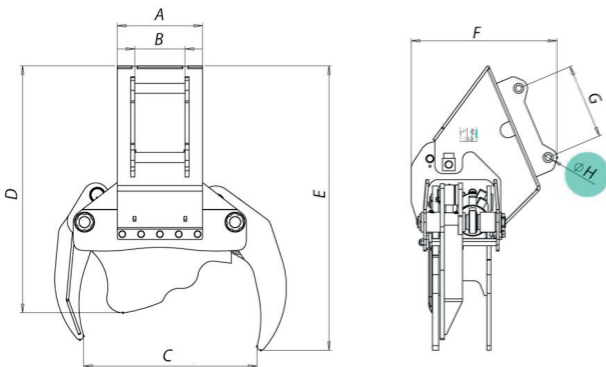
Bear in mind that there are many aspects that can influence the potential to cut a tree of 18/25 cm, these include the tree species, moisture, and ambient temperature and whether the tree is frozen.

## DIMENSIONAL DRAWINGS

### DIMENSIONS OF BC 18 FOR CRANES

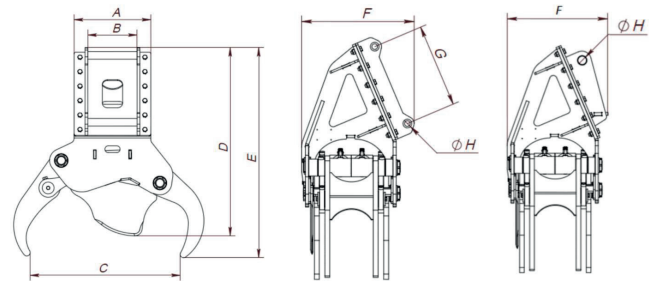


### DIMENSIONS OF BC 18 FOR EXCAVATORS



Measure (mm)	S30/180	S40	S45	MS03	MM/MH10
A	340				
B	182	200	295	205	232
C	660				
D	985	985	1 015	985	1 005
E	1 135	1 135	1 165	1 135	1 135
F	555	580	600	560	593
G	230	300	430	—	292
H	Ø 30	Ø 40	Ø 45	Ø 50	Ø 50

### DIMENSIONS OF BC 25 FOR EXCAVATORS



Measure (mm)	S40	S45	S50	S30/180	MS03	MS08	MM10/MH10
A	455						
B	200	295	272	185	205	295	232
C	890						
D	1 040						
E	1 210						
F	575	580	597	515	540	630	540
G	300	430	430	230	—	—	292
H	Ø 40	Ø 45	Ø 50	Ø 30	Ø 50	Ø 60	Ø 50

All dimensions in the figures are in mm. Numbers can be rounded off to the nearest whole number. We reserve the right to alter specifications without prior notice. Figures for the measurements are only of illustrative purpose.